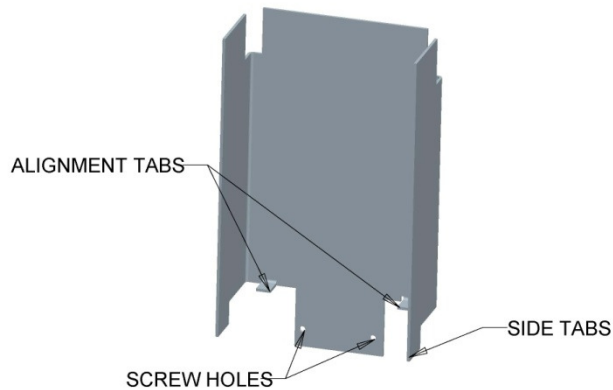


## Installation Instructions- SP-LED-7

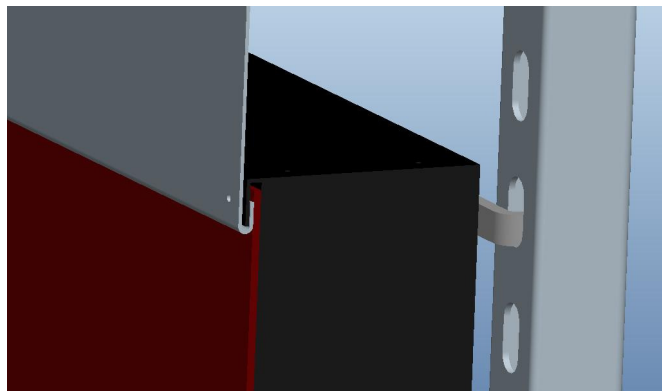
The SP-LED-7 is for indoor use only, and can be installed either above or below an LED-R style scoreboard. To use it between lines of scoreboard in a column, mount it to either the board below or the board above, whichever is more convenient.

It is attached with two brackets, shown below.

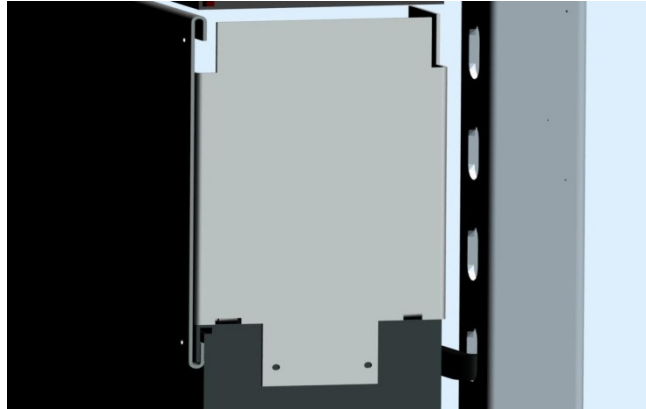


### ***If installed above an LED-R:***

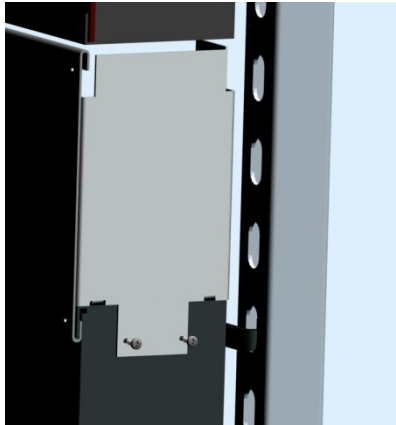
1. Hook the lower edge of the sign panel around the top sign panel holder edge of the LED-R as shown below. Hold the sign panel in place.



2. Slide the end brackets into place. The side tabs go around the LED-R enclosure. The bracket alignment tabs will rest on the top of the LED-R. The rear edge will sit on the back of the LED-R and the front edges will sit in the curled edge of the sign panel as shown below.



3. Fasten the two end brackets to the LED-R using the included self-drilling screws as shown below.



***If installed below an LED-R:***

Installing the sign panel below an LED-R is essentially the same process, only upside down:

1. Hook the upper of the sign panel around the bottom sign panel holder edge of the LED-R. Hold the sign panel in place.
2. Slide the end brackets into place. The side tabs go around the LED-R enclosure. The bracket alignment tabs will touch the bottom of the LED-R, and the bracket will hang below the LED-R. The rear edge will line up with the back of the LED-R and the front edges will sit in the curled edge of the sign panel.
3. Fasten the two end brackets to the LED-R using the included self-drilling screws.

Colorado Time Systems  
1551 E. 11<sup>th</sup> Street, Loveland, CO 80537  
Phone: 970-667-1000 x256 Fax: 970-667-1032 Toll free: 800-287-0653 ext. 256  
www.coloradotime.com E-mail: customerservice@coloradotime.com

F946 Rev. 20100422